



Designed for Building
Designed for Living



Outdoor Accents[®]
decorative hardware

Add **Beauty** and **Strength** to Your Custom Outdoor Living Structures

With Outdoor Accents®, a new line of decorative timber connectors and fasteners from Simpson Strong-Tie, you can now bring both design elegance and structural strength to your outdoor living areas. This hardware accommodates 90 mm and 140 mm timber sizes, providing the flexibility you need when designing and building custom outdoor structures.

Key Features:

- Mission-style decorative accents enhance the beauty of your outdoor living area
- All hardware has been tested, and can be used to resist wind or seismic loads
- Z550 ZMAX® galvanised steel with a black powder-coat finish provides corrosion protection making it suitable for exterior use
- Patent-pending hex-head washer design facilitates easy installation
- Fastener and washer create decorative bolt-like connections but install with the ease of a screw and without predrilling



SIMPSON

Strong-Tie



The Look of a Bolt, the Ease of a Screw

The Outdoor Accents® hex-head washer provides the decorative appearance of a bolted connection. Its patent-pending design makes for an easier and significantly faster installation compared to through-bolting. This washer and screw combination is designed specifically to fasten Outdoor Accents post bases, T and L straps, and angles. The SDWS TIMBER Screw with patented SawTooth™ point allows for faster installation, less torque and requires no pre-drilling.



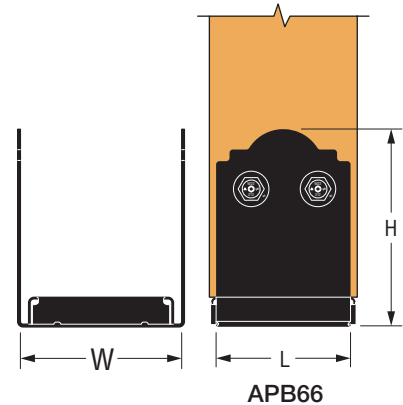
When the Outdoor Accents structural timber screw is combined with the hex-head washer, the solution delivers increased strength and the decorative appeal of a bolted connection with the installation ease of a screw. The structural screw and washer are both sold separately from the Outdoor Accents connectors.

Post Bases

Model No.	Dimensions (mm)			Fasteners Qty		Design Capacity (kN)			
	L	W	H	Column	Anchor Dia. (mm)	Australia		New Zealand	
						Uplift $k_1=1.14$	Download $k_1=0.69$	Uplift $k_1=1.0$	Download $k_1=0.8$
APB44	76	90	178	4	16	2.2	38.2	2.2	35.9
APB66	127	140	191	4	16	2.5	62.9	2.5	59.2

- Design Capacity is the lesser of (1) the Characteristic Capacity multiplied by the Australian Capacity Factor, or the NZ Strength Reduction Factor (ϕ), and applicable the k modification factors following AS 1720.1 and NZS 3603 and (2) the Serviceability Capacity which is the load at 3.2mm joint slip. Design Capacity is the minimum of test data and structural joint calculation.
- For Australia, the Capacity Factor (ϕ) is 0.85 for nails and screws for structural joints in a Category 1 application. Reduce tabulated values where other Category applications govern. For NZ, the Strength Reduction Factor (ϕ) is 0.80 for nails and screws in lateral loading.
- Duration of Load Factor (k_1) is as shown. Reduce Duration of Load Factor where applicable. Capacities may not be increased.
- Timber species for joint design is seasoned Radiata

- Pine, which is Australia Joint Group JD4 per AS 1720.1 Table H2.4 and New Zealand timber grade S68.
- Uplift loads have been increased for wind or earthquake or seismic with no further increase allowed, reduce where others govern.
- Downloads may not be increased for short-term loading.
- Specifier to design concrete for uplift capacity.
- Downloads shall be reduced where limited by capacity of the post.
- All post fasteners are a Simpson Strong-Tie® SDWS22312DB inserted through an STN22 washer.
- Post bases do not provide adequate resistance to prevent members from rotating about the base and therefore are not recommended for non-top-supported installations (such as fences or unbraced carports).

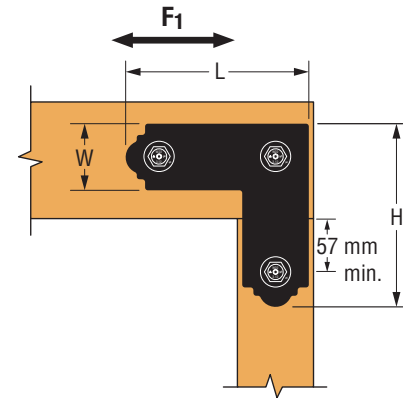
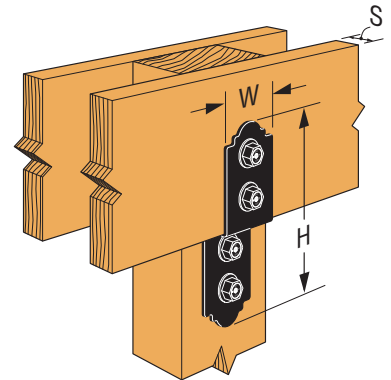


Deck Joist Tie

Model No.	Ga.	Dimensions (mm)			Design Capacity (kN)	
		S	W	H	Download	
					Australia	New Zealand
APDJT1.75-4	10	45	76	246	Floor ($k_1=0.69$)	Floor ($k_1=0.8$)
					14.4	13.5

- Design Capacity is the lesser of (1) the Characteristic Capacity multiplied by the Australian Capacity Factor, or the NZ Strength Reduction Factor (ϕ), and applicable the k modification factors following AS 1720.1 and NZS 3603 and (2) the Serviceability Capacity which is the load at 3.2mm joint slip. Design Capacity is the minimum of test data and structural joint calculation.
- For Australia, the Capacity Factor (ϕ) is 0.85 for nails and screws for structural joints in a Category 1 application. Reduce tabulated values where other Category applications govern. For NZ, the Strength Reduction Factor (ϕ) is 0.80 for nails and screws in lateral loading.

- Duration of Load Factor (k_1) is as shown. Reduce Duration of Load Factor where applicable. Capacities may not be increased.
- Timber species for joint design is seasoned Radiata Pine, which is Australia Joint Group JD4 per AS 1720.1 Table H2.4 and New Zealand timber grade S68.
- Design capacity is for a single part.
- Joist fastener is a Simpson Strong-Tie SDWS22512DB inserted through an STN22 washer.
- Post fastener is a Simpson Strong-Tie SDWS22312DB inserted through an STN22 washer.

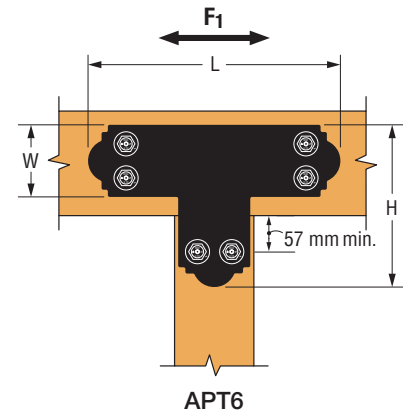


Beam-to-Column Strap Ties

Model No.	Dimensions (mm)			Fasteners Qty		Design Capacity (kN)			
	W	L	H	Column	Beam	Australia		New Zealand	
						Uplift $k_1=1.14$	F_1 $k_1=1.14$	Uplift $k_1=1.0$	F_1 $k_1=1.0$
APL4	76	210	210	2	4	5.7	3.0	5.7	3.0
APL6	127	286	286	4	6	8.6	6.0	8.6	6.0
APT4	76	343	210	2	4	5.9	4.5	5.9	4.5
APT6	127	445	286	4	8	12.9	6.3	10.8	6.3

- Design Capacity is the lesser of (1) the Characteristic Capacity multiplied by the Australian Capacity Factor, or the NZ Strength Reduction Factor (ϕ), and applicable the k modification factors following AS 1720.1 and NZS 3603 and (2) the Serviceability Capacity which is the load at 3.2mm joint slip. Design Capacity is the minimum of test data and structural joint calculation.
- For Australia, the Capacity Factor (ϕ) is 0.85 for nails and screws for structural joints in a Category 1 application. Reduce tabulated values where other Category applications govern. For NZ, the Strength Reduction Factor (ϕ) is 0.80 for nails and screws in lateral loading.
- Duration of Load Factor (k_1) is as shown. Reduce Duration of Load

- Factor where applicable. Capacities may not be increased.
- Timber species for joint design is seasoned Radiata Pine, which is Australia Joint Group JD4 per AS 1720.1 Table H2.4 and New Zealand timber grade S68.
- Allowable loads have been increased for wind or seismic loads with no further increase allowed.
- Connectors must be installed in pairs. Allowable loads do not apply to single parts.
- All fasteners are a Simpson Strong-Tie® SDWS22312DB inserted through an STN22 washer.





APB44

Start Strong with **Post Bases**

Outdoor Accents post bases secure timber columns to concrete, while providing a 25 mm standoff height that helps minimise risk of decay and screws in lateral loading of the timber post. These bases accommodate 90 mm and 140 mm timber.



APDJT1.75-4

Secure Joists with **Deck Joist Ties**

The deck joist tie attaches 45 mm wide joists to the side of 90 mm or larger support posts. It installs quickly and easily with the Outdoor Accents structural SDWS screw and hex-head washer for the look of a bolted connection.



APL4



APT4

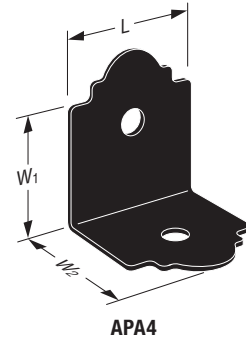
Connect Beam to Columns with **Strap Ties**

The flat T and L strap ties bring decorative flair and lateral strength to your outdoor living space or even an indoor project. They provide reinforcement for connections where one timber piece intersects another at a 90-degree angle. They're designed to accommodate multiple timber sizes and to be installed with Outdoor Accents structural timber screws and hex-head washers.

Heavy Angle (2 required)

Model No.	Dimensions (mm)			Fasteners Qty		Design Capacity (kN)			
	L	W1	W2	Column (Qty)	Beam (Qty)	Australia		New Zealand	
						Uplift $k_1=1.14$	F_1 $k_1=1.14$	Uplift $k_1=1.0$	F_1 $k_1=1.0$
APA4	76	83	76	2	2	2.0	6.2	2.0	6.2

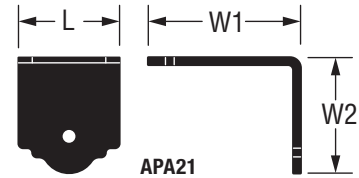
- Design Capacity is the lesser of (1) the Characteristic Capacity multiplied by the Australian Capacity Factor, or the NZ Strength Reduction Factor (ϕ), and applicable the k modification factors following AS 1720.1 and NZS 3603 and (2) the Serviceability Capacity which is the load at 3.2mm joint slip. Design Capacity is the minimum of test data and structural joint calculation.
- For Australia, the Capacity Factor (ϕ) is 0.85 for nails and screws for structural joints in a Category 1 application. Reduce tabulated values where other Category applications govern. For NZ, the Strength Reduction Factor (ϕ) is 0.80 for nails and screws in lateral loading.
- Duration of Load Factor (k_1) is as shown. Reduce Duration of Load Factor where applicable. Capacities may not be increased.
- Timber species for joint design is seasoned Radiata Pine, which is Australia Joint Group JD4 per AS 1720.1 Table H2.4 and New Zealand timber grade SG8.
- Allowable loads have been increased for wind or seismic loads with no further increase allowed.
- Connectors must be installed in pairs. Allowable loads do not apply to single parts.
- All fasteners are a Simpson Strong-Tie® SDWS22312DBB inserted through an STN22 washer.



Angle — Light Rafter Tie

Model No.	Dimensions (mm)			Fasteners Qty		Design Capacity (kN)			
	L	W1	W2	Column (Qty)	Beam (Qty)	Australia		New Zealand	
						Uplift $k_1=1.14$	F_1 $k_1=1.14$	Uplift $k_1=1.0$	F_1 $k_1=1.0$
APA21	35	51	38	1	1	0.9	1.1	0.9	1.1

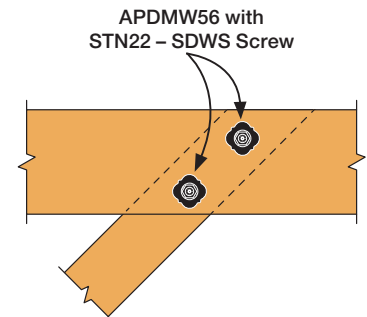
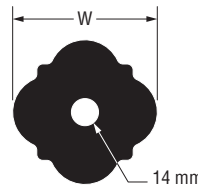
- Design Capacity is the lesser of (1) the Characteristic Capacity multiplied by the Australian Capacity Factor, or the NZ Strength Reduction Factor (ϕ), and applicable the k modification factors following AS 1720.1 and NZS 3603 and (2) the Serviceability Capacity which is the load at 3.2mm joint slip. Design Capacity is the minimum of test data and structural joint calculation.
- For Australia, the Capacity Factor (ϕ) is 0.85 for nails and screws for structural joints in a Category 1 application. Reduce tabulated values where other Category applications govern. For NZ, the Strength Reduction Factor (ϕ) is 0.80 for nails and screws in lateral loading.
- Duration of Load Factor (k_1) is as shown. Reduce Duration of Load Factor where applicable. Capacities may not be increased.
- Timber species for joint design is seasoned Radiata Pine, which is Australia Joint Group JD4 per AS 1720.1 Table H2.4 and New Zealand timber grade SG8.
- Allowable loads have been increased for wind or seismic loads with no further increase allowed.
- Allowable loads are for a single part.
- All fasteners are a Simpson Strong-Tie® SD#10x38.



Decorative Washer

Model No.	Thickness	Hole Dia.	W
APDMW56	2.7 mm	15 mm	76 mm

- Fastener is SDWS22312DBB or SDWS22512DBB, inserted through an STN22 washer.



Outdoor Accents Connector Screw

Model No.	Size	Thread Length (mm)	Characteristic Withdrawal Value (N/mm)			
			38mm Timber Side Member			
			Australia		New Zealand	
			JD4	JD5	SG8	SG6
SD10112DBB	#10 x 38mm	25	101	71	139	97

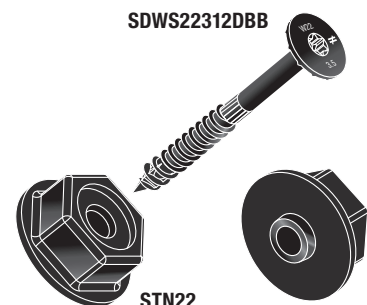
- Characteristic values are for connections between two members with full thread penetration into the main member.
- Characteristic values are based on installation into the side grain of the timber with the screw axis perpendicular to the face of the member.
- The main and side members shall be sawn timber or structural composite timber with the specific gravity or equivalent specific gravity typical of JD4 and JD5 for Australia or SG8 and SG6 for New Zealand.
- For design values, apply appropriate capacity factor.
- Design values shall be multiplied by applicable adjustment factors from AS 1720.1 or NZS 3603.



Outdoor Accents Structural Timber Screw and Hex-Head Washer

Model No.	Screw Length (mm)	Thread Length (mm)	Characteristic Lateral Value, Q_{kl} (N)				
			38-mm Timber Side Member Thickness				
			Australia			New Zealand	
			JD4	JD5	JD6	SG8	SG6
SDWS22312DBB and STN22	89	51	3475	2840	2660	3460	3145
SDWS22512DBB and STN22	140	70	6930	6400	3910	9140	8580

- Characteristic values are for connections between two members with full thread penetration into the main member.
- Characteristic values are based on installation into the side grain of the timber with the screw axis perpendicular to the face of the member.
- The main and side members shall be sawn timber or structural composite timber with the specific gravity or equivalent specific gravity typical of JD4, JD5 and JD6 for Australia or SG8 and SG6 for New Zealand.
- For design values, apply appropriate capacity factor.
- Design values shall be multiplied by applicable adjustment factors from AS 1720.1 or NZS 3603.





APA4

Strengthen Corners with **Angles**

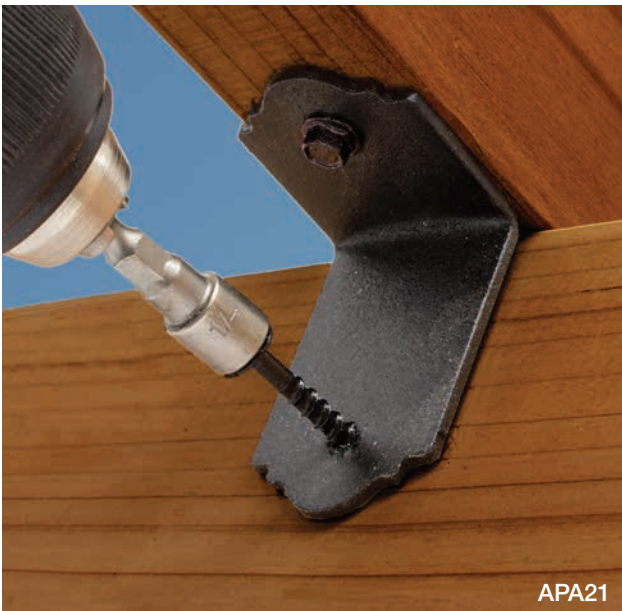
Outdoor Accents angles tie together beams, rafters and more. These angles make structural connections between beams and posts stronger and provide consistent, strong corners for a variety of outdoor projects.



APDMW56 with SDWS and STN22

Add an ornate accent with **Decorative Washers**

The APDMW56 decorative washer installs easily with the structural SDWS Timber screw and hex-head washer combination and can be used in a variety of timber-to-timber connections.



APA21

Fasten Connections Easily with **Connector Screws**

The Outdoor Accents connector screw reduces installation time by driving easily without predrilling. Designed for installation with the Outdoor Accents APA21 90-degree angle, the screw's black finish accents any outdoor living project. The sharp point of the screw enables fast starts, and the patented serrated threads reduce torque for improved driveability.



SDWS and STN22

Finish Installations Faster with **Structural Timber Screws**

The Outdoor Accents structural timber screw reduces installation time by driving easily without predrilling. When combined with the patent-pending, load-rated hex-head washer, the solution delivers the decorative appearance of a bolted connection, but with a much easier installation. The screws and washer are both sold separately.

Connectors



Post Bases



Deck Joist Tie



Strap Ties



Angles



Decorative Washer



Fasteners

Model No.	Product Description		Master Carton
Post Bases*			
APB44	90 x 90 mm Post base	Base 1.6mm Strap 2.7mm	8 per box
APB66	140 x 140 mm Post base	Base 2.7mm Strap 2.7mm	6 per box
Deck Joist Tie*			
APDJT1.75-4	Deck-joist tie — Suits 45 mm wide joists	2.7mm	24 per box
Beam-to-Column Strap Ties*			
APL4	L-strap — Suits min. 90 mm timber	2.7mm	8 per box
APL6	L-strap — Suits min. 140 mm timber	2.7mm	
APT4	T-strap — Suits min. 90 mm timber	2.7mm	
APT6	T-strap — Suits min. 140 mm timber	2.7mm	
Angles*			
APA4	Heavy Angle (2 required)	2.7mm	12 per box
APA21	Angle — Light Rafter Tie	2mm	90 per box
Decorative Washer*			
APDMW56	Decorative Washer (Fastener is SDWS22312DBB or SDWS22512DBB, inserted through an STN22 washer.)	2.7mm	24 per box

Fasteners

Connector Screw [^]		Driver Bit(s) included	
SD10112DBBR50	#10 x 38 mm Connector screw, ¼" Hex head, Patented serrated threads, Sharp point (For use with APA21 only)	(50) per clamshell	5 Packages
Structural Timber Screw [^]		Driver Bit(s) included	
SDWS22312DBBRC12	89mm	Ribbed large washer head	(12) per clamshell
SDWS22312DBB-R50	89mm	Patented SawTooth™ point	(50) per box
SDWS22512DBBRC12	140mm	T-40 6-lobe drive	(12) per clamshell
Hex-Head Washer[†]			
STN22-R8	38mm Diameter Hex-Head Washer	(8) per box	10 Packages

Finish

^{*}Galvanised ZMAX® Coating with Black Powder Coating

[^]Double-Barrier Black Proprietary Coating

[†]Quik Guard® black coating for exterior use with a black powder-coat finish



Scan this QR code to watch a video of pergola construction using Outdoor Accents® Decorative Hardware