

QuikStik™

Rafter and Truss Fastening System

Together we're helping
build safer, stronger
structures.

SIMPSON

Strong-Tie

®

**Quik Fix,
Correct Angle,
Perfect Connection.**



Simpson Strong-Tie® (New Zealand) Ltd
Call **09 477 4440**
strongtie.co.nz

This flyer reflects information available as of February 18, 2020
and may be updated periodically. Please visit our website
for current information and limited warranty.

Raising the Bar on Overhead Fastening

Introducing the new standard for overhead assembly installations of rafter and truss connections. The Simpson Strong-Tie® Quik Stik installation tool provides contractors with a versatile solution that makes fastening rafter and truss connections fast, safe and easy.

- Fast installation: Drive screws overhead from a standing position with no ladders
- Safe on the jobsite: Designed for use inside the structure — no need to work outside the building
- Easy to operate — less-experienced users can work quickly and efficiently
- Precise: Bright orange guidelines facilitate proper alignment for each of the approved installations
- Special purpose: Designed specifically for use with the Strong-Drive® SDWC Truss screw for rafter/truss connections



No Ladders



No Lines



No Nailers

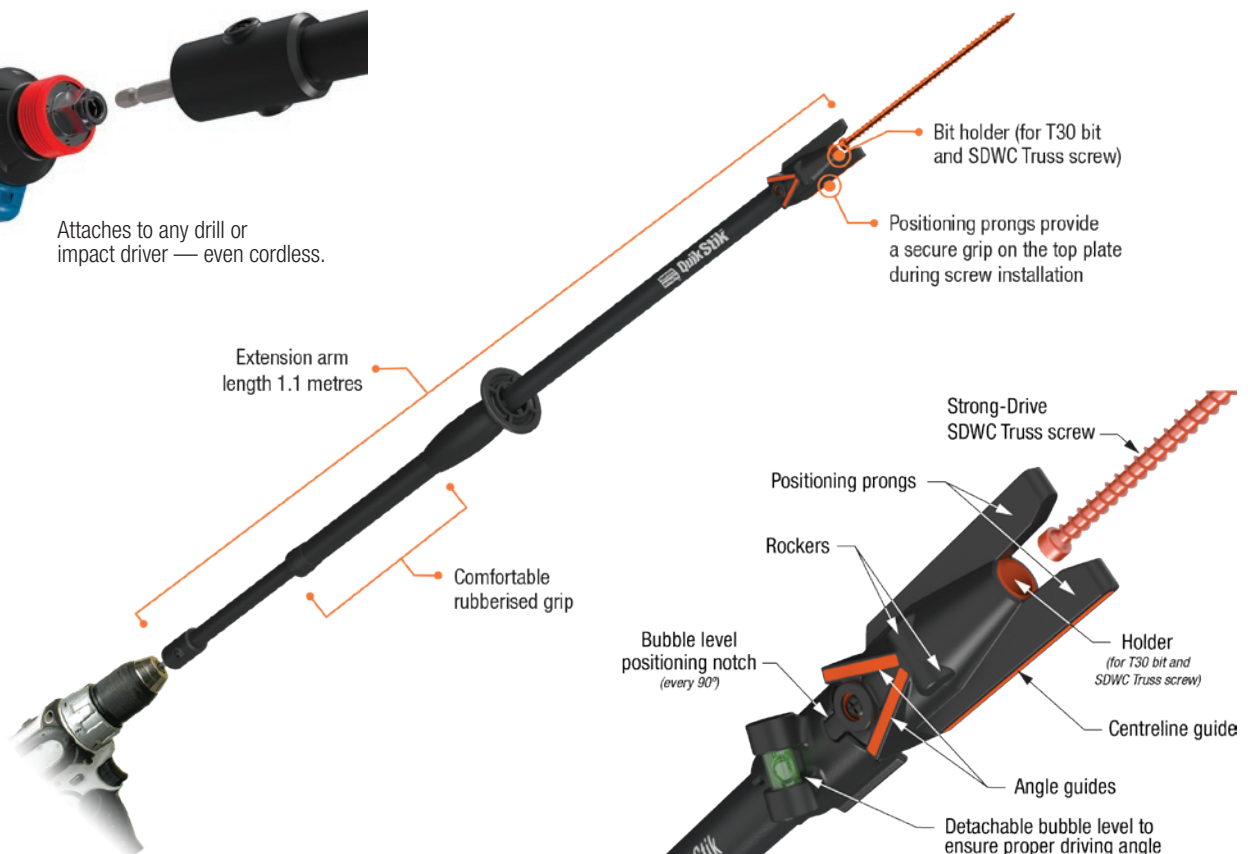
Quik Stik and Strong-Drive SDWC Truss screws are designed to work together for a safe, reliable solution.



Features



Attaches to any drill or impact driver — even cordless.



Raising the Bar on Overhead Fastening

Efficiently Installs a Variety of Top-Plate-to-Rafter/Truss Assemblies



Narrow-face stud to top plate.



Truss rafter offset from stud.



Wide-face stud to top plate.

Instantly Positions Fastener at the Optimal Installation Angle



In this type of installation, when the angle guideline is vertical (or if bubble is visible in level), the SDWC screw is at the optimal angle for top plate to rafter/truss connections.



In this type of installation, when the centerline guide is vertical, the screw is at the optimal 90° angle for vertical connections into an offset rafter/truss assembly.



In this type of installation, when the centerline guide points to the middle of the rafter/truss and the angle guideline is vertical (or if the bubble is visible in the level), the SDWC Truss screw is at the optimal compound angle.

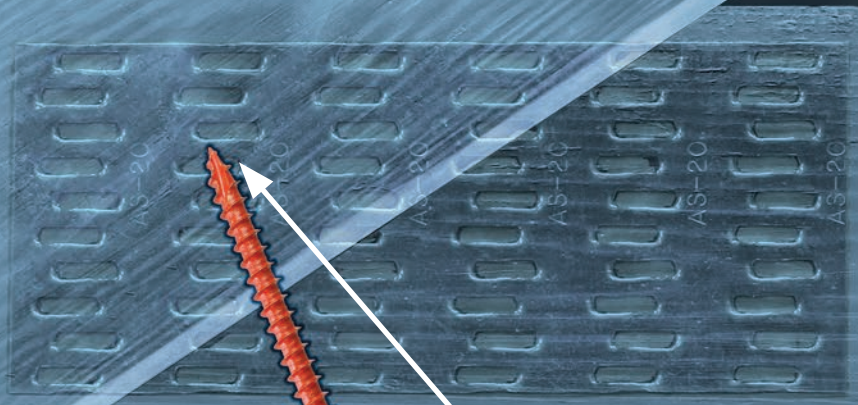
Quik Stik Rafter and Truss Fastening System Includes:

1. Quik Stik fastening tool
2. Detachable/adjustable bubble level
3. Three T30 6-lobe driver bits (replacement driver bit: BIT30TU-2-RC3)
4. Sturdy carrying case





Why nail 10 times? **Screw Once!**



Fast starts

Full engagement

Clean finish

The Strong-Drive® SDWC Truss Screw provides an easier and faster alternate solution to conventional framing anchors.

- Provides three times the holding capacity of preformed truss connectors
- Refer to our NZS 3604 Guide or strongtie.co.nz for load information to ensure the SDWC Truss Screws suit your job
- Screws are coloured for easy inspection

To find out more about our innovative range of **Connectors, Fasteners and Anchors** call your local Simpson Strong-Tie representative on **09 477 4440** or visit strongtie.co.nz

