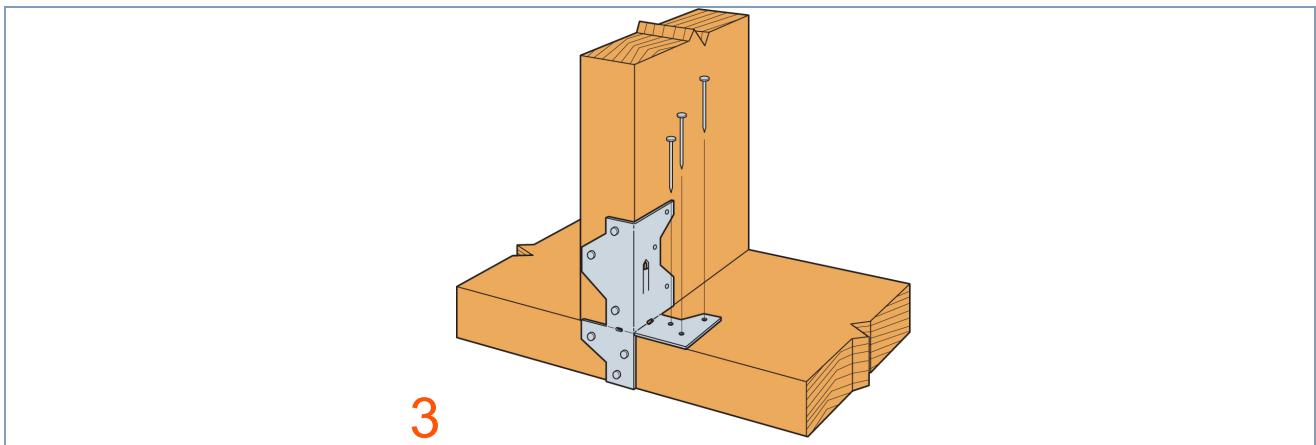
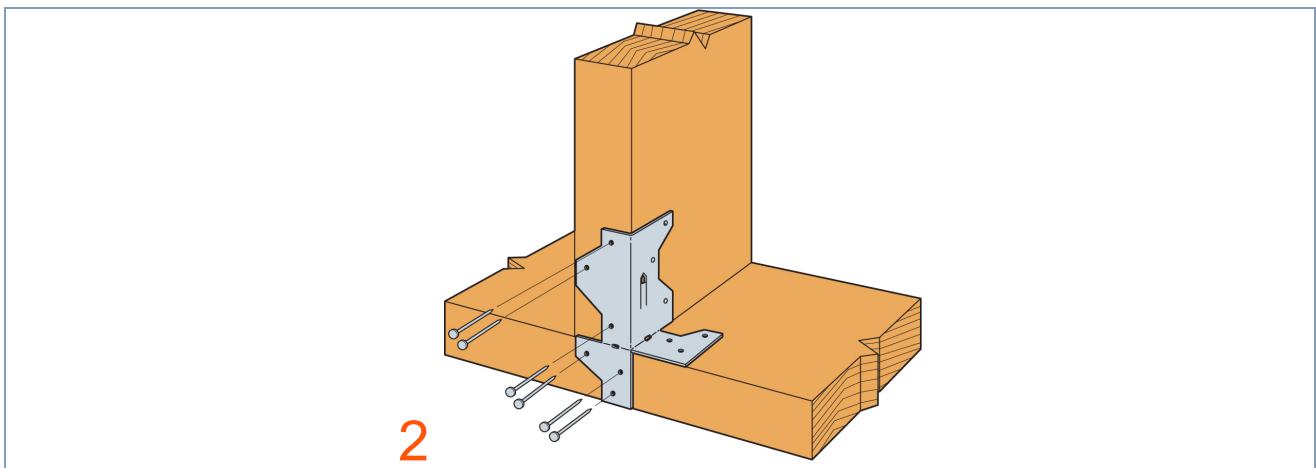
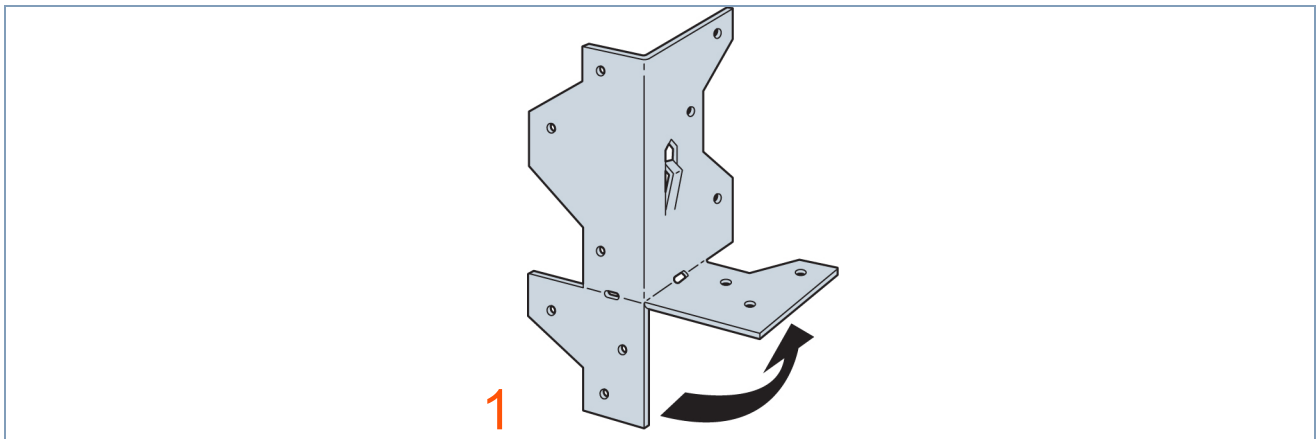
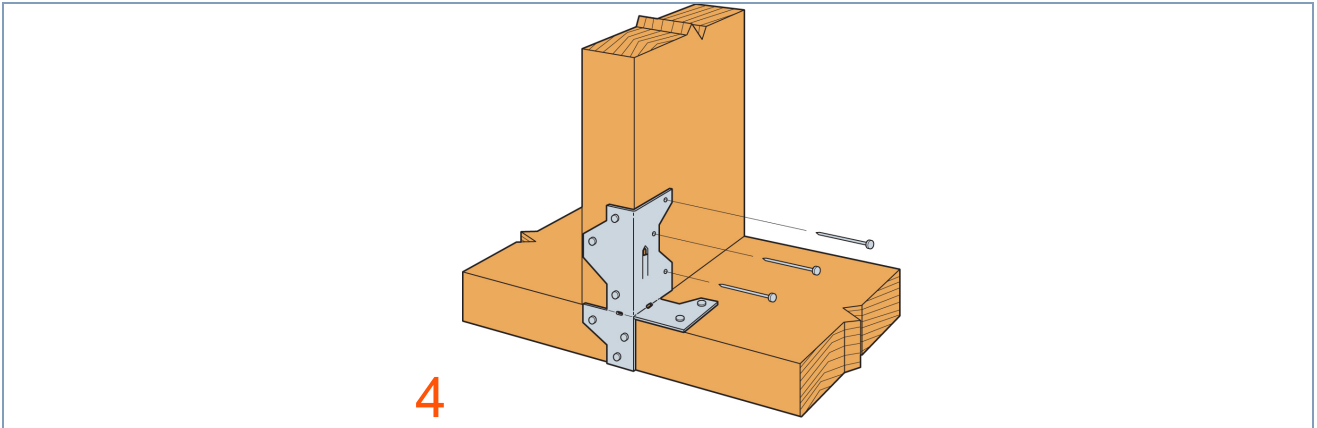


A34 A35 Reinforced Angle Bracket

Installation

Stud to Plate Condition





Joist to Beam Condition

