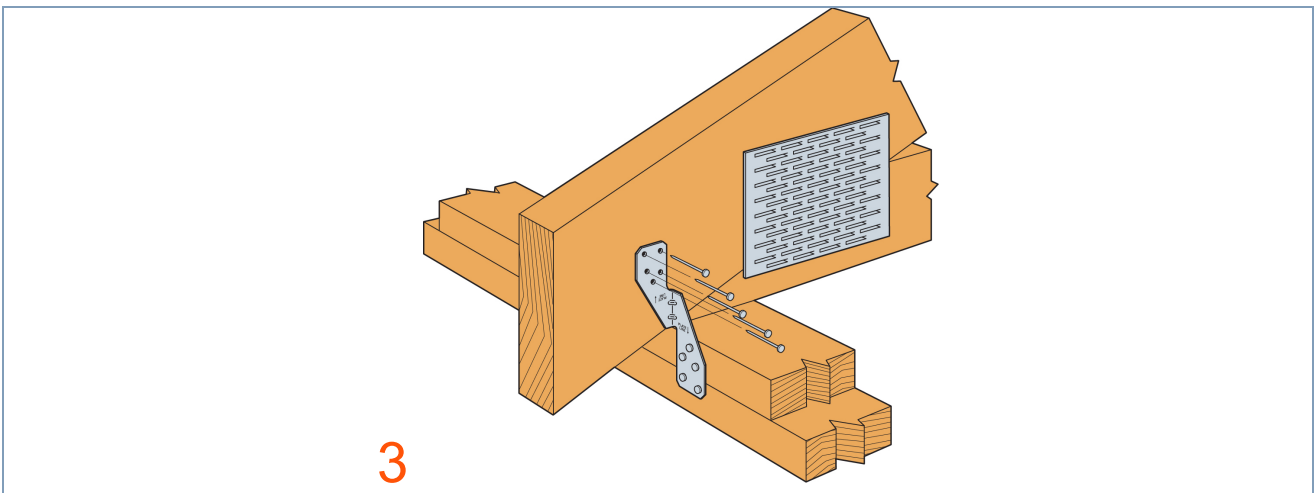
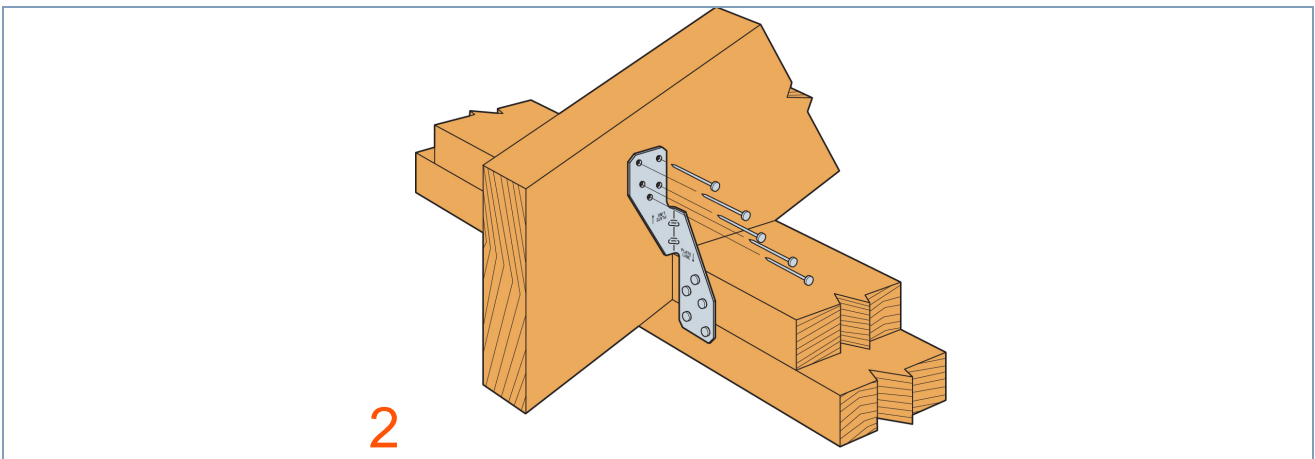
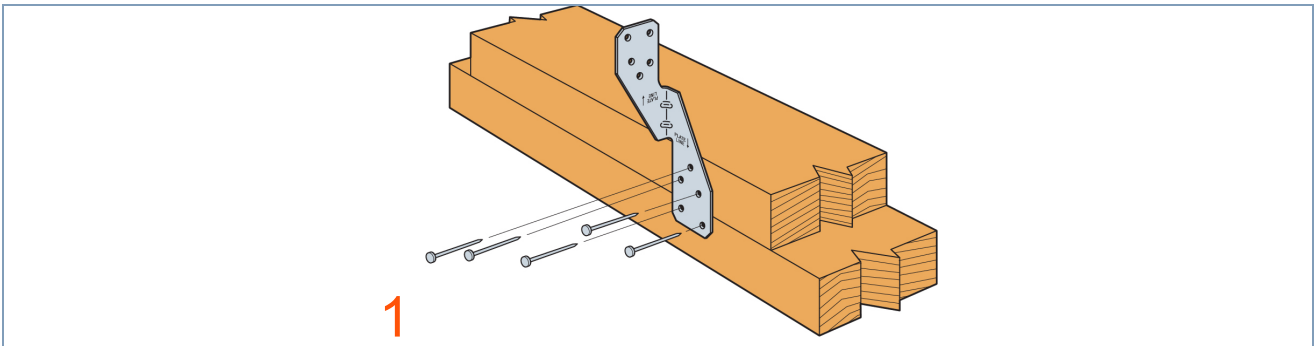
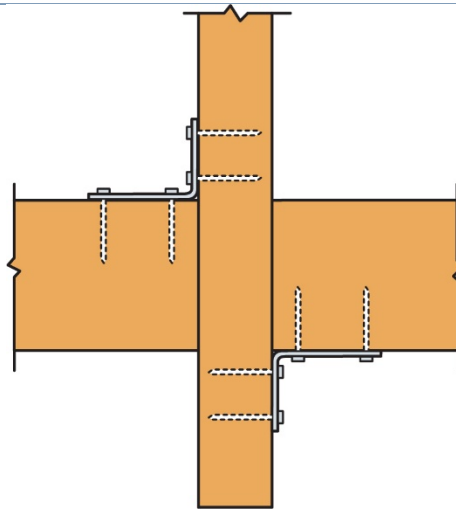


# H2.5A Hurricane Tie

## Installation





4

Two-Sided Tie Down - Plan View. Install diagonally across from each other.  
Both connectors shall be same mode