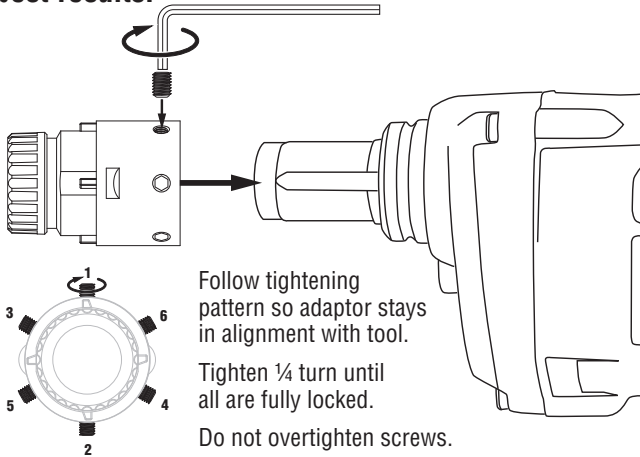


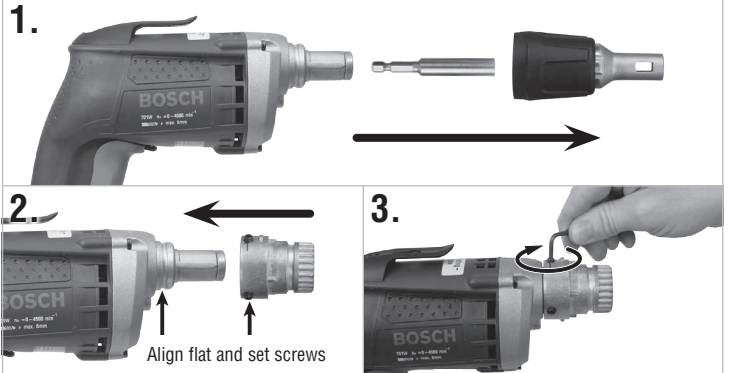
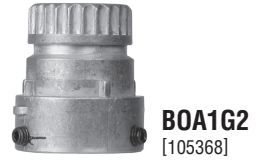
Set Screw Tightening Pattern

For best results:

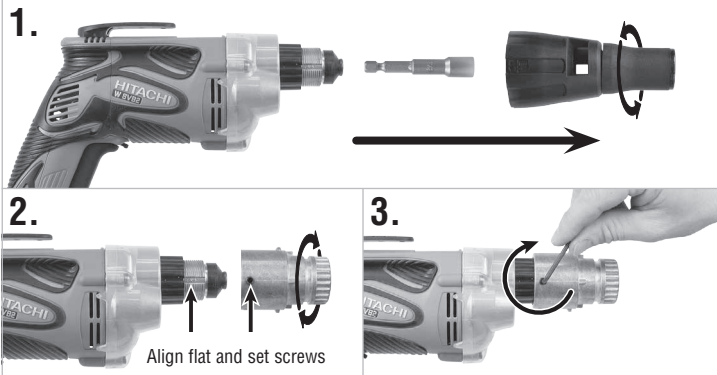


Follow tightening pattern so adaptor stays in alignment with tool.
Tighten ¼ turn until all are fully locked.
Do not over-tighten screws.

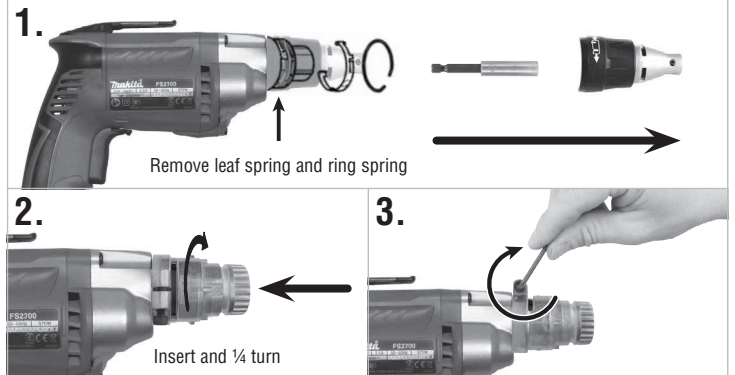
BOSCH GSR6-25TE



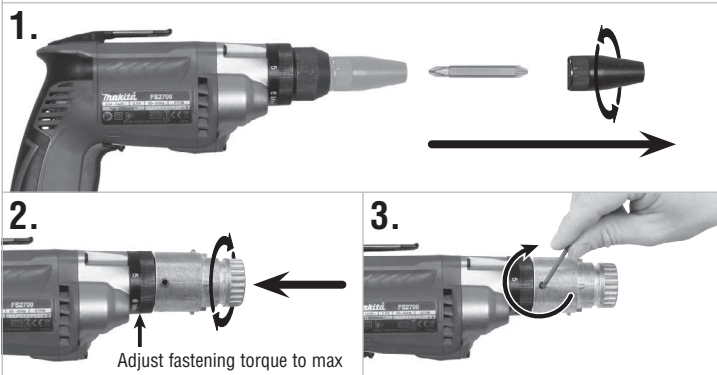
HITACHI W6V3, W6VA3, W6VB3, W8VB2, W8V3



MAKITA FS2500, FS2300, FS6300



MAKITA 6805, 6827, FS2700



MILWAUKEE DWSE-4000-Q, TKSE-2500-Q

