

HTT4 — Bracewall Holddown Kit

Material:

HTT4: Carbon Steel 3.1mm thick
THD & SD: Carbon Steel

Finish:

HTT4: Z275 Galvanised



THD & SD: Mechanically Galvanised



Size: See illustration below

Features & Benefits

- Designed for external and internal braced walls for concrete floors constructed in accordance with NZS 3604:2011
- Can be installed anytime before plasterboard or wall lining
- The load capacities are applicable for both 20MPa and 17MPa concrete strengths
- The HTT4 Tension Tie & Holddown Bracket has a multi ply seat formed from a single piece of steel, provides extra strength
- The Titen HD® Heavy Duty Screw Anchor has serrated cutting teeth and patented thread design, which reduce installation torque, enable quick and easy installation
- Uses Strong-Drive® SD#10 x 38mm Connector screws including an unique screw pattern that provides less joint slip or fastener/connector deformation

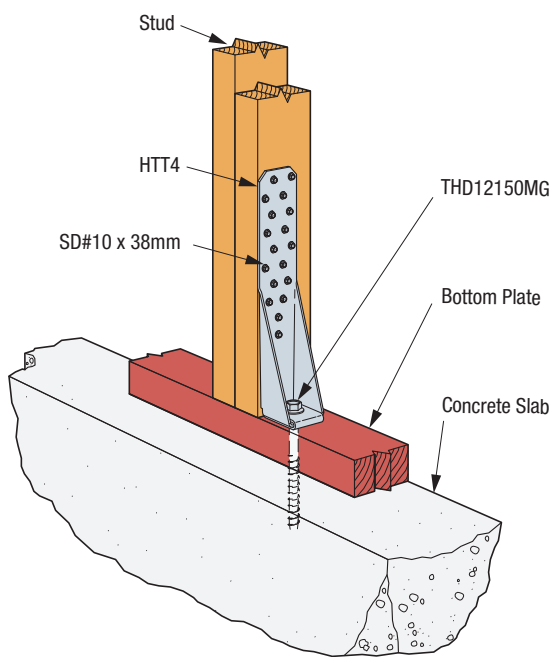
Approvals

- THD Approvals - BRANZ Appraisal 983 (2018) for applications related to bottom plate fixings and holdown applications per NZS 3604 using Titen HD

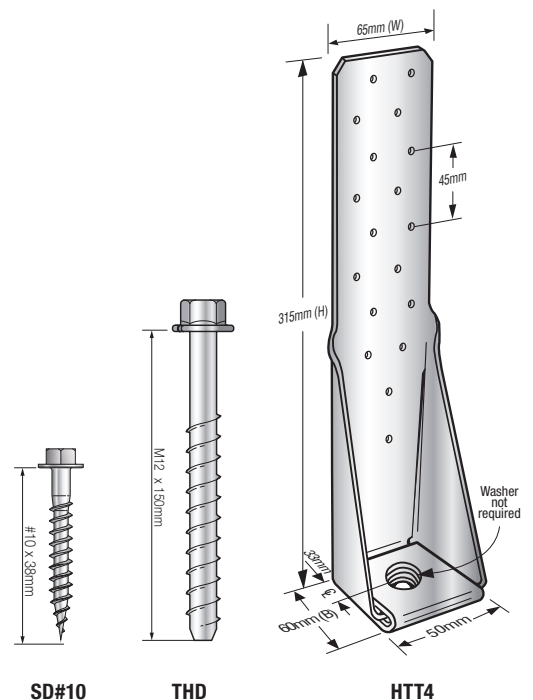
Installation

- The Kit requires no additional washer
- Follow the installation guide

Construction Details



HTT4 Bracewall Holddown Kit Installation



HTT4 — Bracewall Holdown Kit

HTT4 Bracewall Holdown Kit Technical Data

Model No.	HTT4 Dimensions (mm)				Anchor & Fasteners		Framing Information	Characteristic Load, R _k (kN)
	W	H	Foot Projection	Distance Post to Bolt (CL)	Anchor Bolt	Post Fasteners (No. - Dia. x Length) (mm)		
HTT4-KTM	65	315	60	33	THD12150MG	18 – SD#10 x 38	Suits 90mm and 140mm wall Framing	15 kN Uplift

1. Characteristic capacities where derived using EM1 as referenced in NZS 3604.

HTT4 Bracewall Holdown Kit Installation Data

Installation Data	Description	Millimetre
Anchor Installation Data	Drill Hole Diameter	12
	Maximum Diameter of Drill Bit	12.5
	Drill Depth	105
	Nominal Embedment Depth	95
Concrete Thickness, Edge Distance and Spacing	Minimum Concrete Thickness	150
	Minimum Edge Distance	48
	Minimum Spacing	80