

Outdoor Accents - Avant Collection

Material

Carbon Steel 2mm-2.7mm thick

Finish

Double-Barrier black proprietary coating: Fasteners
ZMAX® Galvanization with a black powder coat: Connectors
Quik Guard® Coating: Hex-Head Washer



Size: See illustration on the right and tables below

Features & Benefits

- Flat T and L strap ties, Bolt-like connectors bring decorative appeal and lateral strength to your outdoor living area or even an indoor project
- Fastener and washer create decorative bolt-like connections but install with the ease of a screw and without predrilling
- Post bases secure timber posts to concrete, while providing a 25mm standoff height to help prevent rot from standing water and ground moisture
- All hardware has been structural strength tested and approved, and can be used to resist wind or seismic loads
- Black Double-Barrier Coating offers premium look while providing a medium level of corrosion protection for many outdoor applications
- Patent hex-head washer design facilitates easy installation
- Big seat for joists provides greater strength support
- Concealed Joist Hanger with internal flange for concealed fixings, provides cleaner lines for outdoor structures
- Flat Straps can be used to connect two beams together or added to any project as a decorative accent

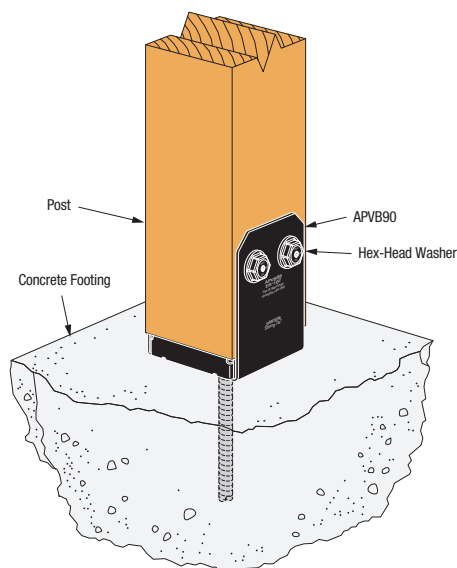
Installation

- Use all specified fasteners

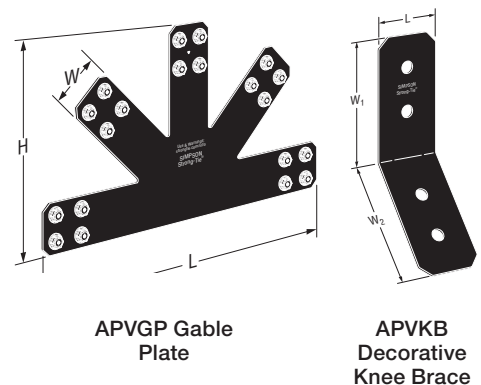
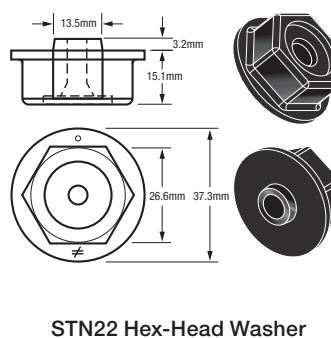
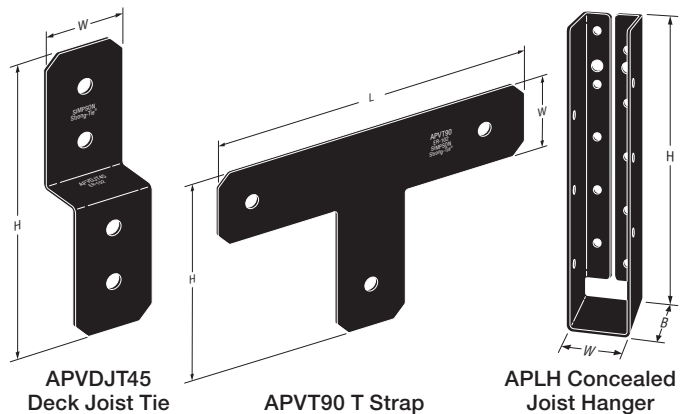
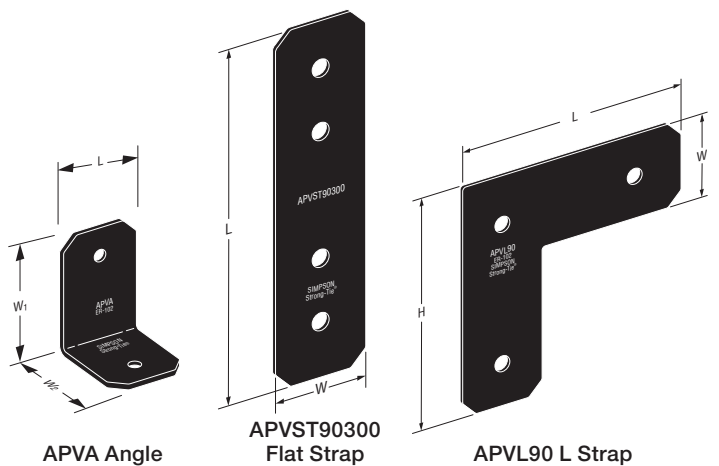
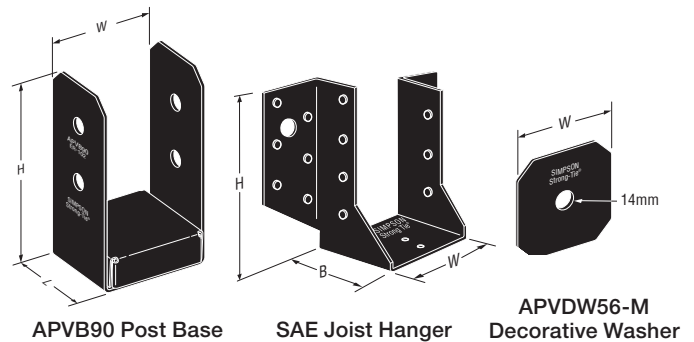
Approvals

- IAPMO-UES ER-192
- IAPMO-UES ER-280
- ICC-ES ESR-3046
- FL13975-R5
- FL10865-R4
- FL9589-R5

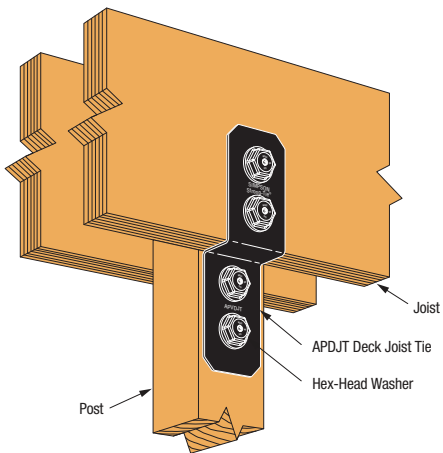
Construction Details



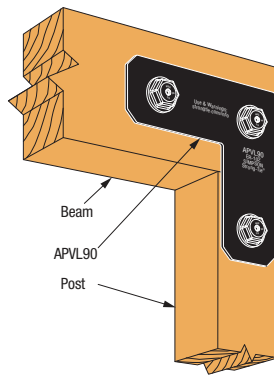
APVB90 Post Base Installation



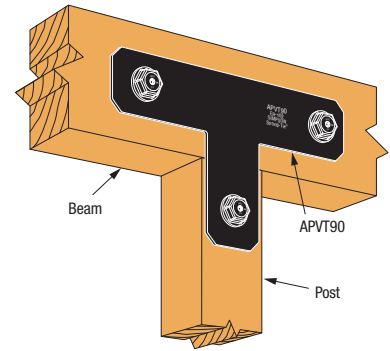
Outdoor Accents - Avant Collection



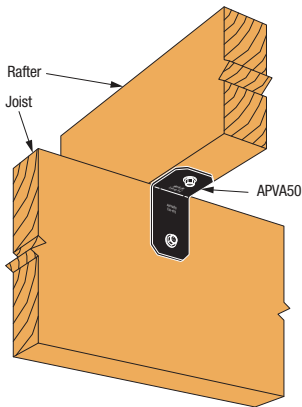
APDJT Joist-to-Post Connection



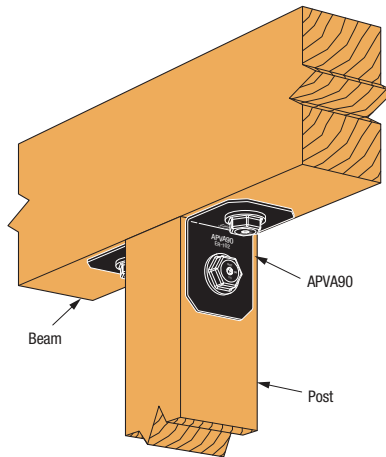
APVL90 Post-to-Beam Corner Installation



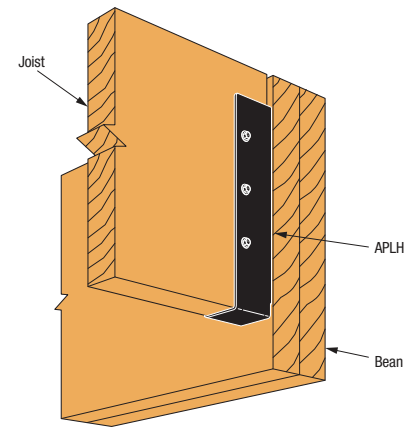
APVT90 Post-to-Beam Corner Installation



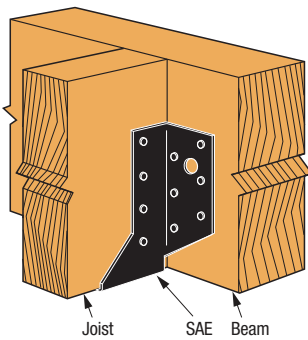
APVA50 Joist-to-Rafter Installation



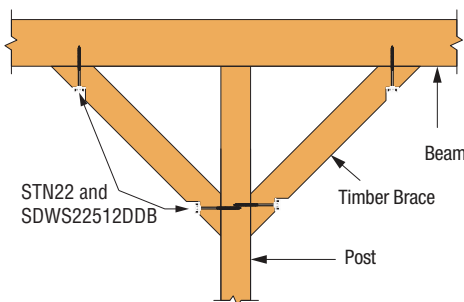
APVA90 Post-to-Beam Corner Installation



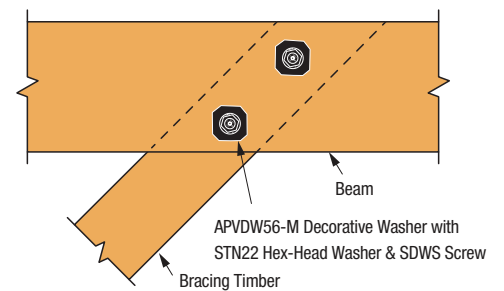
APLH Joist-to-Beam Installation



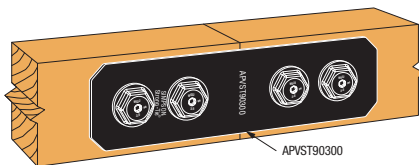
SAE Joist Installation



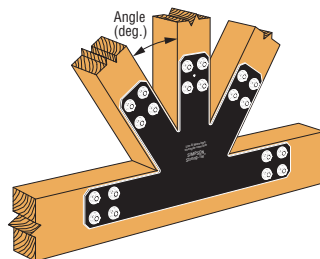
STN22 & SDWS Timber Brace



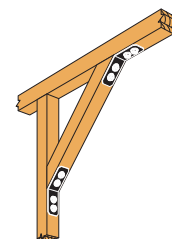
STN22 & SDWS Timber Brace Connection with Beam



APVST Flat Strap Installation



Gable Plate Installation



APVKB Decorative Knee Brace Connector Installation

Outdoor Accents - Avant Collection

Technical Data - Post Bases

Model No.	Dimensions (mm)			Fasteners Qty		Design Capacity (kN)				Box Qty
	L	W	H	Column	Anchor Dia. (mm)	Australia		New Zealand		
						Uplift ($k_1=1.14$)	Download ($k_1=0.69$)	Uplift ($k_1=1.0$)	Download ($k_1=0.8$)	
APVB90	75	95	180	4	16	4.4	38.2	4.4	31.5	8

- Design Capacity is the lesser of (1) the Characteristic Capacity multiplied by the Australian Capacity Factor, or the NZ Strength Reduction Factor (ϕ), and applicable the k modification factors following AS 1720.1 and NZS 3603 and (2) the Serviceability Capacity which is the load at 3.2mm joint slip. Design Capacity is the minimum of test data and structural joint calculation.
- For Australia, the Capacity Factor (ϕ) is 0.85 for nails and screws for structural joints in a Category 1 application. Reduce tabulated values where other Category applications govern. For NZ, the Strength Reduction Factor (ϕ) is 0.80 for nails and screws in lateral loading.
- Duration of Load Factor (k_1) is as shown. Reduce Duration of Load Factor where applicable. Capacities may not be increased.
- Timber species for joint design is seasoned Radiata Pine, which is Australia

- Joint Group JD4 per AS 1720.1 Table H2.4 and New Zealand timber grade SG8.
- Uplift loads have been increased for wind or earthquake or seismic with no further increase allowed; reduce where others govern.
- Downloads may not be increased for short-term loading.
- Specifier to design concrete for uplift capacity.
- Downloads shall be reduced where limited by capacity of the post.
- All post fasteners are a Simpson Strong-Tie® SDWS22312DB inserted through an STN22 washer.
- Post bases do not provide adequate resistance to prevent members from rotating about the base and therefore are not recommended for non-top-supported installations (such as fences or unbraced carports).

Technical Data - Deck Joist Tie

Model No.	Ga.	Dimensions (mm)			Design Capacity (kN) - Download		Box Qty
		S	W	H	Australia	New Zealand	
					Floor ($k_1=0.69$)	Floor ($k_1=0.8$)	
APVDJT45	10	45	80	250	14.4	13.5	12

- Design Capacity is the lesser of (1) the Characteristic Capacity multiplied by the Australian Capacity Factor, or the NZ Strength Reduction Factor (ϕ), and applicable the k modification factors following AS 1720.1 and NZS 3603 and (2) the Serviceability Capacity which is the load at 3.2mm joint slip. Design Capacity is the minimum of test data and structural joint calculation.
- For Australia, the Capacity Factor (ϕ) is 0.85 for nails and screws for structural joints in a Category 1 application. Reduce tabulated values where other Category applications govern. For NZ, the Strength Reduction Factor (ϕ) is 0.80 for nails and screws in lateral loading.
- Duration of Load Factor (k_1) is as shown. Reduce Duration of Load Factor where applicable. Capacities may not be increased.

- Timber species for joint design is seasoned Radiata Pine, which is Australia Joint Group JD4 per AS 1720.1 Table H2.4 and New Zealand timber grade SG8.
- Design capacity is for a single part.
- Joist fastener is a Simpson Strong-Tie SDWS22512DB inserted through an STN22 washer.
- Post fastener is a Simpson Strong-Tie SDWS22312DB inserted through an STN22 washer.

Technical Data - Strap Ties

Model No.	Dimensions (mm)			Fasteners Qty		Design Capacity (kN)				Box Qty
	W	L	H	Column	Beam	Australia		New Zealand		
						Uplift ($k_1=1.14$)	F_1 ($k_1=1.14$)	Uplift ($k_1=1.0$)	F_1 ($k_1=1.0$)	
APVL90	76	210	210	2	4	5.7	3.0	5.7	3.0	8
APVT90	76	350	210	2	4	5.9	4.5	5.9	4.5	
APVST90300	76	285	-	-	8	5.7	3.0	5.7	3.0	

- Design Capacity is the lesser of (1) the Characteristic Capacity multiplied by the Australian Capacity Factor, or the NZ Strength Reduction Factor (ϕ), and applicable the k modification factors following AS 1720.1 and NZS 3603 and (2) the Serviceability Capacity which is the load at 3.2mm joint slip. Design Capacity is the minimum of test data and structural joint calculation.
- For Australia, the Capacity Factor (ϕ) is 0.85 for nails and screws for structural joints in a Category 1 application. Reduce tabulated values where other Category applications govern. For NZ, the Strength Reduction Factor (ϕ) is 0.80 for nails and screws in lateral loading.
- Duration of Load Factor (k_1) is as shown. Reduce Duration of Load Factor where applicable. Capacities may not be increased.

- Timber species for joint design is seasoned Radiata Pine, which is Australia Joint Group JD4 per AS 1720.1 Table H2.4 and New Zealand timber grade SG8.
- Allowable loads have been increased for wind or seismic loads with no further increase allowed.
- Connectors for APVL90 and APVT90 must be installed in pairs. Allowable loads do not apply to single parts.
- All fasteners are a Simpson Strong-Tie® SDWS22312DB inserted through an STN22 washer.
- Connector table loads and fastener quantities for APVST90300 are listed for two parts. For single part installations, use half the listed values.

Technical Data - Decorative Washer

Model No.	Thickness	Hole Dia.	W
APVDW56-M	2.7 mm	15 mm	76 mm

- Fastener is SDWS22312DBB or SDWS22512DBB, inserted through an STN22 washer.

Outdoor Accents - Avant Collection

Technical Data - Angles (2 required for APVA90)

Model No.	Dimensions (mm)			Fasteners Qty		Design Capacity (kN)				Box Qty
	L	W ₁	W ₂	Column (Qty)	Beam (Qty)	Australia		New Zealand		
						Uplift (k ₁ =1.14)	F ₁ (k ₁ =1.14)	Uplift (k ₁ =1.0)	F ₁ (k ₁ =1.0)	
APVA90	80	80	75	2	2	2.0	6.2	2.0	6.2	12
APVA50	40	50	35	1	1	0.9	1.1	0.9	1.1	45

- Design Capacity is the lesser of (1) the Characteristic Capacity multiplied by the Australian Capacity Factor, or the NZ Strength Reduction Factor (ϕ), and applicable the k modification factors following AS 1720.1 and NZS 3603 and (2) the Serviceability Capacity which is the load at 3.2mm joint slip. Design Capacity is the minimum of test data and structural joint calculation.
- For Australia, the Capacity Factor (ϕ) is 0.85 for nails and screws for structural joints in a Category 1 application. Reduce tabulated values where other Category applications govern. For NZ, the Strength Reduction Factor (ϕ) is 0.80 for nails and screws in lateral loading.
- Duration of Load Factor (k₁) is as shown. Reduce Duration of Load Factor where applicable. Capacities may not be increased.
- Timber species for joint design is seasoned Radiata Pine, which is Australia Joint Group JD4 per AS 1720.1 Table H2.4 and New Zealand timber grade SG8.
- Allowable loads have been increased for wind or seismic loads with no further increase allowed.
- For APVA90, connectors must be installed in pairs. Allowable loads do not apply to single parts.
- For APVA50 - Allowable loads are for a single part.
- All fasteners for APVA90 are a Simpson Strong-Tie® SDWS22312DB inserted through an STN22 washer.
- All fasteners for APVA50 are a Simpson Strong-Tie® SD10112DBB #10x38.

Technical Data - Concealed Joist Hanger

Model No.	Joist Size (mm)		Dimensions (mm)			Fasteners Qty		Design Capacity (kN)				Box Qty
	Width	Height	W	H	B	Face (Qty)	Joist (Qty)	Australia		New Zealand		
								Uplift (k ₁ =1.14)	Download (floor) (k ₁ =0.69)	Uplift (k ₁ =1.0)	Download (floor) (k ₁ =0.8)	
APLH45140	45	140-190	46	130	49	6	4	6.4	8.4	5.3	7.7	24
APLH45240		240-290	46	200	49	10	6	9.0	13.5	7.4	13.2	12

- Design Capacity is the lesser of (1) the Characteristic Capacity multiplied by the Australian Capacity Factor, and applicable the k modification factors following AS 1720.1 or the NZ Strength Reduction Factor (ϕ), and applicable the k modification factors following NZS 3603 and (2) the Serviceability Capacity which is the load at 3.2mm joint slip. Design Capacity is the minimum of test data and structural joint calculation.
- For Australia, the Capacity Factor (ϕ) is 0.85 for screws for structural joints in a Category 1 application. Reduce tabulated values where other Category applications govern. For NZ, the Strength Reduction Factor (ϕ) is 0.80 for nails in lateral loading.
- Duration of Load Factor (k₁) is as shown. Reduce Duration of Load Factor where applicable. Capacities may not be increased.
- Timber species for joint design is seasoned Radiata Pine, which is Australia Joint Group JD4 per AS 1720.1 Table H2.4 and New Zealand Joint Group J5 per NZS 3603 Table 4.1.
- Dimensions W, H and B are for the interior of the hanger.
- All fasteners are a Simpson Strong-Tie® SD10112DBB #10x38.

Technical Data - Face Fix Joist Hanger

Model No.	Joist Size (mm)		Dimensions (mm)			Fasteners Qty		Design Capacity (kN)					Box Qty	
	Width	Height	W	H	B	Face (Qty)	Joist (Qty)	Australia			New Zealand			
								Uplift (k ₁ =1.14)	Download		Uplift (k ₁ =1.0)	Download		
									Floor (k ₁ = 0.69)	Roof (k ₁ = 0.77)		Floor (k ₁ = 0.80)		Roof (k ₁ = 0.80)
SAE200/46/2PB	45	90-120	45	80	84	8	5	3.18	6.25	6.50	3.0	5.70	5.70	8
SAE250/46/2PB		115-150	45	100	84	12	7	5.57	7.27	7.27	5.24	6.84	6.84	12

- Design Capacity is the lesser of (1) the Characteristic Capacity multiplied by the Australian Capacity Factor, and applicable the k modification factors following AS 1720.1 or the NZ Strength Reduction Factor (ϕ), and applicable the k modification factors following NZS 3603 and (2) the Serviceability Capacity which is the load at 3.2mm joint slip. Design Capacity is the minimum of test data and structural joint calculation.
- For Australia, the Capacity Factor (ϕ) is 0.85 for nails and screws for structural joints in a Category 1 application. Reduce tabulated values where other Category applications govern. For NZ, the Strength Reduction Factor (ϕ) is 0.80 for nails in lateral loading.
- Duration of Load Factor (k₁) is as shown. Reduce Duration of Load Factor where applicable. Capacities may not be increased.
- Timber species for joint design is seasoned Radiata Pine, which is Australia Joint Group JD4 per AS 1720.1 Table H2.4 and New Zealand Joint Group J5 per NZS 3603 Table 4.1.
- Dimensions W, H and B are for the interior of the hanger.
- All fasteners are a Simpson Strong-Tie® SD10112DBB #10x38.

Outdoor Accents - Avant Collection - NZ Codes

Technical Data - Decorative Washer

Model No.	Thickness	Hole Dia.	W
APVDW56-M	2.7 mm	15 mm	76 mm

1. Fastener is SDWS22312DBB or SDWS22512DBB, inserted through an STN22 washer.

Technical Data - Hex-Head Washer

Model No.	Diameter	Box Qty	Ctn Qty
STN22-R8	38 mm	8	10

1. Combined with the Outdoor Accents structural timber screws - SDWS22312DBB or SDWS22512DBB

Technical Data - Connector Screws

Model No.	Size	Thread Length (mm)	Timber Side Member (mm)	Characteristic Withdrawal Value (N/mm)				Box Qty
				Australia		New Zealand		
				JD4	JD5	SG8	SG6	
SD10112DBB	#10 x 38mm	25	38	101	71	139	97	5 Packs (50 per clamshell)

1. Characteristic values are for connections between two members with full thread penetration into the main member.
2. Characteristic values are based on installation into the side grain of the timber with the screw axis perpendicular to the face of the member.
3. The main and side members shall be sawn timber or structural composite

4. For design values, apply appropriate capacity factor.
 5. Design values shall be multiplied by applicable adjustment factors from AS 1720.1 or NZS 3603.
- timber with the specific gravity or equivalent specific gravity typical of JD4 and JD5 for Australia or SG8 and SG6 for New Zealand.

Technical Data - Structural Timber Screw and Hex-Head Washer

Model No.	Hex-Head Washer	Screw Length (mm)	Thread Length (mm)	Timber Side Member (mm)	Characteristic Lateral Value, Q_{KL} (N)					Carton Qty
					Australia			New Zealand		
					JD4	JD5	JD6	SG8	SG6	
SDWS22312DBBRC12	STN22-R8	89	51	38	3475	2840	2660	3460	3145	10 Packs (12 per clamshell)
SDWS22312DBB-R50										6 Packs (50 per box)
SDWS22512DBBRC12		140	70		6930	6400	3910	9140	8580	10 Packs (12 per clamshell)

1. Characteristic values are for connections between two members with full thread penetration into the main member.
2. Characteristic values are based on installation into the side grain of the timber with the screw axis perpendicular to the face of the member.
3. The main and side members shall be sawn timber or structural composite

4. For design values, apply appropriate capacity factor.
 5. Design values shall be multiplied by applicable adjustment factors from AS 1720.1 or NZS 3603.
- timber with the specific gravity or equivalent specific gravity typical of JD4, JD5 and JD6 for Australia or SG8 and SG6 for New Zealand.

Technical Data - Gable Plates

Model No.	Material Thickness (mm)	Angle (deg.)	Dimensions mm	Fastener Quantity			Characteristic Lateral Value, Q_{KL} (N)		Carton Qty
			W x H x L	Beam	Center Column	Angled Struts	Australia	New Zealand	
							JD5	SG6	
APVGP1212-4	2.7	45	76 x 292 x 508	16	8	16	2,840	3,145	2
APVGP1212		45	127 x 501 x 876				2,840	3,145	2

1. Allowable loads have been increased for wind or earthquake loading with no further increase allowed. Reduce where other loads govern.
2. Connector table loads and fastener quantities are listed for two parts. For single part installations, use half the listed values.
3. Uplift loads apply to the connection between the center vertical post and the beam.

4. All fasteners are Outdoor Accents® SDWS22312DBB inserted through an STN22 hex-head washer. Quantities listed are for two parts.
5. Fasteners sold separately.
6. Capacities listed are per screw.

Outdoor Accents - Avant Collection

Technical Data - Angles (2 required for APVA90)

Model No.	Dimensions (mm)			Fasteners Qty		Design Capacity (kN)				Box Qty
	L	W ₁	W ₂	Column (Qty)	Beam (Qty)	Australia		New Zealand		
						Uplift (k ₁ =1.14)	F ₁ (k ₁ =1.14)	Uplift (k ₁ =1.0)	F ₁ (k ₁ =1.0)	
APVA90	80	80	75	2	2	2.0	6.2	2.0	6.2	12
APVA50	40	50	35	1	1	0.9	1.1	0.9	1.1	45

- Design Capacity is the lesser of (1) the Characteristic Capacity multiplied by the Australian Capacity Factor, or the NZ Strength Reduction Factor (ϕ), and applicable the k modification factors following AS 1720.1 and NZS 3603 and (2) the Serviceability Capacity which is the load at 3.2mm joint slip. Design Capacity is the minimum of test data and structural joint calculation.
- For Australia, the Capacity Factor (ϕ) is 0.85 for nails and screws for structural joints in a Category 1 application. Reduce tabulated values where other Category applications govern. For NZ, the Strength Reduction Factor (ϕ) is 0.80 for nails and screws in lateral loading.
- Duration of Load Factor (k₁) is as shown. Reduce Duration of Load Factor where applicable. Capacities may not be increased.
- Timber species for joint design is seasoned Radiata Pine, which is Australia Joint Group JD4 per AS 1720.1 Table H2.4 and New Zealand timber grade SG8.
- Allowable loads have been increased for wind or seismic loads with no further increase allowed.
- For APVA90, connectors must be installed in pairs. Allowable loads do not apply to single parts.
- For APVA50 - Allowable loads are for a single part.
- All fasteners for APVA90 are a Simpson Strong-Tie® SDWS22312DB inserted through an STN22 washer.
- All fasteners for APVA50 are a Simpson Strong-Tie® SD10112DBB #10x38.

Technical Data - Concealed Joist Hanger

Model No.	Joist Size (mm)		Dimensions (mm)			Fasteners Qty		Design Capacity (kN)				Box Qty
	Width	Height	W	H	B	Face (Qty)	Joist (Qty)	Australia		New Zealand		
								Uplift (k ₁ =1.14)	Download (floor) (k ₁ =0.69)	Uplift (k ₁ =1.0)	Download (floor) (k ₁ =0.8)	
APLH45140	45	140-240	46	130	49	6	4	6.4	8.4	5.3	7.7	24
APLH45240		200-320	46	200	49	10	6	9.0	13.5	7.4	13.2	12

- Design Capacity is the lesser of (1) the Characteristic Capacity multiplied by the Australian Capacity Factor, and applicable the k modification factors following AS 1720.1 or the NZ Strength Reduction Factor (ϕ), and applicable the k modification factors following NZS 3603 and (2) the Serviceability Capacity which is the load at 3.2mm joint slip. Design Capacity is the minimum of test data and structural joint calculation.
- For Australia, the Capacity Factor (ϕ) is 0.85 for screws for structural joints in a Category 1 application. Reduce tabulated values where other Category applications govern. For NZ, the Strength Reduction Factor (ϕ) is 0.80 for nails in lateral loading.
- Duration of Load Factor (k₁) is as shown. Reduce Duration of Load Factor where applicable. Capacities may not be increased.
- Timber species for joint design is seasoned Radiata Pine, which is Australia Joint Group JD4 per AS 1720.1 Table H2.4 and New Zealand Joint Group J5 per NZS 3603 Table 4.1.
- Dimensions W, H and B are for the interior of the hanger.
- All fasteners are a Simpson Strong-Tie® SD10112DBB #10x38.

Technical Data - Face Fix Joist Hanger

Model No.	Joist Size (mm)		Dimensions (mm)			Fasteners Qty		Design Capacity (kN)					Box Qty	
	Width	Height	W	H	B	Face (Qty)	Joist (Qty)	Australia			New Zealand			
								Uplift (k ₁ =1.14)	Download		Uplift (k ₁ =1.0)	Download		
									Floor (k ₁ = 0.69)	Roof (k ₁ = 0.77)		Floor (k ₁ = 0.80)		Roof (k ₁ = 0.80)
SAE200/46/2PB	45	90-120	45	80	84	8	5	3.18	6.25	6.50	3.0	5.70	5.70	8
SAE250/46/2PB		115-150	45	100	84	12	7	5.57	7.27	7.27	5.24	6.84	6.84	12

- Design Capacity is the lesser of (1) the Characteristic Capacity multiplied by the Australian Capacity Factor, and applicable the k modification factors following AS 1720.1 or the NZ Strength Reduction Factor (ϕ), and applicable the k modification factors following NZS 3603 and (2) the Serviceability Capacity which is the load at 3.2mm joint slip. Design Capacity is the minimum of test data and structural joint calculation.
- For Australia, the Capacity Factor (ϕ) is 0.85 for nails and screws for structural joints in a Category 1 application. Reduce tabulated values where other Category applications govern. For NZ, the Strength Reduction Factor (ϕ) is 0.80 for nails in lateral loading.
- Duration of Load Factor (k₁) is as shown. Reduce Duration of Load Factor where applicable. Capacities may not be increased.
- Timber species for joint design is seasoned Radiata Pine, which is Australia Joint Group JD4 per AS 1720.1 Table H2.4 and New Zealand Joint Group J5 per NZS 3603 Table 4.1.
- Dimensions W, H and B are for the interior of the hanger.
- All fasteners are a Simpson Strong-Tie® SD10112DBB #10x38.

Outdoor Accents - Avant Collection - AU Codes

Technical Data - Decorative Washer

Model No.	Thickness	Hole Dia.	W
APVDW56-M	2.7 mm	15 mm	76 mm

1. Fastener is SDWS22312DBB or SDWS22512DBB, inserted through an STN22 washer.

Technical Data - Hex-Head Washer

Model No.	Diameter	Box Qty	Ctn Qty
STN22M-R8	38 mm	8	10

1. Combined with the Outdoor Accents structural timber screws - SDWS22312DBB or SDWS22512DBB

Technical Data - Connector Screws

Model No.	Size	Thread Length (mm)	Timber Side Member (mm)	Characteristic Withdrawal Value (N/mm)				Box Qty
				Australia		New Zealand		
				JD4	JD5	SG8	SG6	
SD38DBBR50	#10 x 38mm	25	38	101	71	139	97	5 Packs (50 per clamshell)

1. Characteristic values are for connections between two members with full thread penetration into the main member.
2. Characteristic values are based on installation into the side grain of the timber with the screw axis perpendicular to the face of the member.
3. The main and side members shall be sawn timber or structural composite

4. For design values, apply appropriate capacity factor.
 5. Design values shall be multiplied by applicable adjustment factors from AS 1720.1 or NZS 3603.
- timber with the specific gravity or equivalent specific gravity typical of JD4 and JD5 for Australia or SG8 and SG6 for New Zealand.

Technical Data - Structural Timber Screw and Hex-Head Washer

Model No.	Hex-Head Washer	Screw Length (mm)	Thread Length (mm)	Timber Side Member (mm)	Characteristic Lateral Value, Q_{KL} (N)					Carton Qty
					Australia			New Zealand		
					JD4	JD5	JD6	SG8	SG6	
SDWS90DBB-R50	STN22M-R8	90	51	38	3475	2840	2660	3460	3145	6 Packs (50 per box)
SDWS140DBB-R50		140	70		6930	6400	3910	9140	8580	10 Packs (12 per clamshell)

1. Characteristic values are for connections between two members with full thread penetration into the main member.
2. Characteristic values are based on installation into the side grain of the timber with the screw axis perpendicular to the face of the member.
3. The main and side members shall be sawn timber or structural composite

4. For design values, apply appropriate capacity factor.
 5. Design values shall be multiplied by applicable adjustment factors from AS 1720.1 or NZS 3603.
- timber with the specific gravity or equivalent specific gravity typical of JD4, JD5 and JD6 for Australia or SG8 and SG6 for New Zealand.

Technical Data - Gable Plates

Model No.	Material Thickness (mm)	Angle (deg.)	Dimensions mm	Fastener Quantity			Characteristic Lateral Value, Q_{KL} (N)		Carton Qty
			W x H x L	Beam	Center Column	Angled Struts	Australia	New Zealand	
							JD5	SG6	
APVGP1212-4	2.7	45	76 x 292 x 508	16	8	16	2,840	3,145	2
APVGP1212		45	127 x 501 x 876				2,840	3,145	2

1. Allowable loads have been increased for wind or earthquake loading with no further increase allowed. Reduce where other loads govern.
2. Connector table loads and fastener quantities are listed for two parts. For single part installations, use half the listed values.

3. Uplift loads apply to the connection between the center vertical post and the beam.
4. All fasteners are Outdoor Accents® SDWS22312DBB/SDWS90DBB inserted through an STN22/STN22M hex-head washer. Quantities listed are for two parts.
5. Fasteners sold separately.